

# 5MP VF Vandal-resistant Network IR Fixed Dome Camera

IPC3235LR3-VSP(Z28)-D



## Key Features

### Optics

- Day/night functionality
- Smart IR, up to 30m (98ft) IR distance
- IR anti-reflection window to increase the infrared transmittance
- 2D/3D DNR (Digital Noise Reduction)

### Compression

- Ultra 265, H.265, H.264, MJPEG
- ROI (Region of Interest)

### Network

- ONVIF Conformance

### Structure

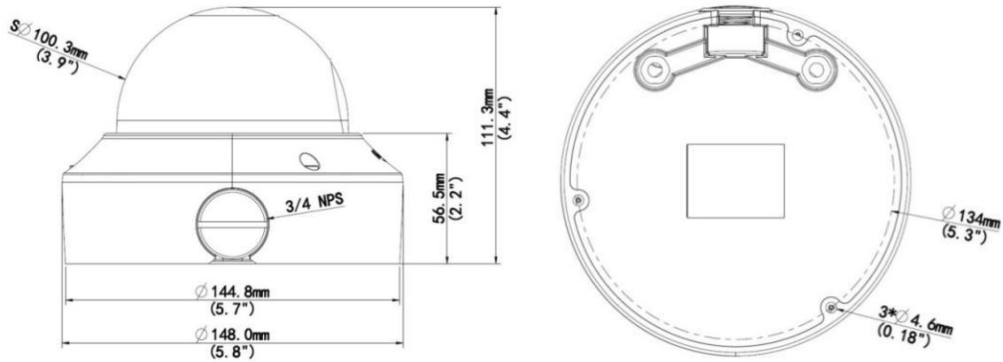
- Wide temperature range:  $-40^{\circ}\text{C} \sim 60^{\circ}\text{C}$  ( $-40^{\circ}\text{F} \sim 140^{\circ}\text{F}$ )
- Wide voltage range of  $\pm 25\%$
- IK10 vandal resistant
- IP67
- 3-Axis

## Specifications

	IPC3235LR3-VSP-D	IPC3235LR3-VSPZ28-D			
<b>Camera</b>					
Sensor	1/2.7", 5.0 megapixel, progressive scan, CMOS				
Lens	2.8 ~ 12mm, manual zoom lens			2.8 ~ 12mm, motorized zoom lens	
DORI Distance	Lens (mm)	Detect (m)	Observe (m)	Recognize (m)	Identify (m)
	2.8	63	25.2	12.6	6.3
	12	270	108	54	27
Angle of View (H)	105.3° ~ 25.4°				
Angle of View (V)	69.5° ~ 18.4°				
Angle of View (O)	136.9° ~ 31.2°				
Adjustment angle	Pan: 0° ~ 360°		Tilt: 0° ~ 80°		Rotate: 0° ~ 360°
Shutter	Auto/Manual, 1 ~ 1/100000s				
Minimum Illumination	Colour: 0.005Lux (F1.6, AGC ON) 0Lux with IR				
Day/Night	IR-cut filter with auto switch (ICR)				
Digital noise reduction	2D/3D DNR				
IR Range	Up to 30m (98ft) IR range				
Defog	Digital Defog				
WDR	DWDR				
<b>Video</b>					
Video Compression	Ultra 265, H.265, H.264, MJPEG				
H.264 code profile	Baseline profile, Main Profile				
Frame Rate	Main Stream: 5MP (2592*1944), Max 20fps; Sub Stream: 720P (1280*720), Max 20fps				
HLC	Supported				
BLC	Supported				
OSD	Up to 4 OSDs				
Privacy Mask	Up to 4 areas				
ROI	Up to 2 areas				
Motion Detection	Up to 4 areas				
<b>Network</b>					
Protocols	IPv4, IGMP, ICMP, ARP, TCP, UDP, DHCP, RTP, RTSP, RTCP, DNS, DDNS, NTP, FTP, UPnP, HTTP, HTTPS, SMTP, SSL, QoS				
Compatible Integration	ONVIF (Profile S, Profile G, Profile T), API				
<b>Interface</b>					
Network	1 RJ45 10M/100M Base-TX Ethernet				
Edge Storage	MicroSD, up to 256GB				
<b>General</b>					
Power	DC 12V±25%, PoE (IEEE 802.3af)				
	Power consumption: Max 8.7W				
Dimensions (Ø x H)	Φ148 x 111.3mm (Ø5.8" x 4.4")				
Weight	0.92kg (2.0lb)				
Working Environment	-40°C ~ 60°C (-40°F ~ 140°F), Humidity: ≤95% RH (non-condensing)				

Ingress Protection	IP67
Vandal Resistant	IK10
Reset Button	Supported

## Dimensions



### Zhejiang Uniview Technologies Co., Ltd.

Building No.10, Wanlun Science Park, Jiangling Road 88, Binjiang District, Hangzhou, Zhejiang, China (310051)

Email: [overseasbusiness@uniview.com](mailto:overseasbusiness@uniview.com); [globalsupport@uniview.com](mailto:globalsupport@uniview.com)

<http://www.uniview.com>

©2019 Zhejiang Uniview Technologies Co., Ltd. All rights reserved.

\*Product specifications and availability are subject to change without notice.